

CQ BOLAND



NUUSBRIEF VAN
DIE BOLAND AMATEURRADIO KLUB

Maart 2009

KOMITEE VAN BOLAND AMATEURRADIO KLUB

Johan le Roux	ZS1RX	021-9192246
Karl Canitz	ZS1KC	021-9765237
Rassie Erasmus	ZS1YT	021-8545764
Deon Heydenrych	ZS1G	082-6539884
Olivier van Staden	ZS1OLI	021-8698564
Jean Coetzee	ZS1HJC	083-2618589
Conradt Esterhuizen	ZS1ES	083-6296316
Raoul Coetzee	ZS1REC	082-4664327
Jan Van der Vyver	ZS1VDV	083-3795859
Douglas Defty	ZS1DUG	021-9436300

KLUBBULLETINS

Tyd: Sondae om 7:45

Frekwensies: 3670kHz, 7094kHz LSB en 145,700 FM

Kom gesels saam op Sondagaande om 20:00 op 3670kHz

KENNISGEWING VAN DIE VOLGENDE BARK VERGADERING

U word vriendelik uitgenooi na 'n BARK vergadering op Saterdag 21 Maart 2009 om 11:00 op die plaas Slot van die Paarl. Die vergadering behoort so teen 12 uur klaar te wees en daarna sal die braaivleis vure aangesteek word. Moenie van die kattebak verkoping vergeet nie. Bring u eie kos, eetgerei, drinkgoed, stoele, rooster ens. saam. Verder in hierdie uitgawe is 'n beskrywing om by die vergadering uit te kom.

BARK
Vergadering...



BYDRAES TOT CQ BOLAND

Die redaksie van CQ BOLAND verwelkom alle bydraes vanaf Boland se Amateurs en vriende van die klub. Bydraes mag egter volgens die diskresie van die redakteur aangepas en geplaas word om sodoende die gepastheid en kwaliteit van inligting en artikels te verseker. Bydraes moet ten minste vier weke voor die datum van die volgende vergadering aan die redaksie met behulp van E-pos, pakketradio of op disket gestuur word.



Stuur u bydraes aan:

Pakket: ZS1RX@ZS0BEL.TBG.WCP.ZAF.AF

E-pos: ZS1RX@MAILBOX.CO.ZA

Posadres: CQ Boland Posbus 273 STRAND 7139

VAN DIE VOORSITTER.

Ons eerste ledevergadering is net om die draai. Ek wil tog versoek dat soveel as moontlik van u hierdie geleentheid bywoon. Dit is die 21 ste Maart om 11 uur op die plaas Slot van die Paarl.



Die Algemene Jaarvergadering van die SARL vind plaas gedurende die naweek van 24 tot 26 April. Ek sal graag soveel as moontlik van u by hierdie geleentheid wil sien. Die Saterdag oggend vind die AJV plaas en dit sal goed wees as u dit kan bywoon. Nie lede van die SARL is ook welkom.

BARK se ledetal staan tans op 122 lede. Wat my bekommer is dat verskeie klublede wat 'n lang geskiedenis saam met BARK het, nog nie hul lidmaatskap hernu het nie.

Dan 'n groot welkom aan alle nuwe lede van BARK. Ons hoop u sal nog vir baie jare deel van BARK wees.

Jan, ZS1VDV het 'n ZU RAE gereël wat in Februarie plaasgevind het en Karl, ZS1KC is besig met klasse vir die ZR/ZS RAE. Dankie aan hierdie lede.

Gedurende Februarie was BARK op die lug met die SARL se veldstasie kompetisie. Dankie aan die manne wat ZS1BAK en ZS1TB bedryf het.

Deon – ZS1G, Johannes – ZR1RF en Jonathan Carter het die afgelope tyd gewoel met BARK se webwerf. Dankie aan Deon en sy span daarvoor. Maak gerus 'n draai by <http://bark.org.za/>

Ek sal graag wil sien dat daar meer deelname is gedurende Sondag aande se herhaling van die oggend se Bulletin. Die bymekaarkoms is om 20:00 op 3.670Mhz.

Ek sien uit daarna om u die 21 ste Maart te sien.

Johan, ZS1RX

VERBIND EN VIND RADIO KOMPETISIE DESEMBER 2008

Hier vertel Con, ZS1ES hoe hulle die leidrade uitgewerk het

Deur Con, ZS1ES

Ons het die plek waar Olive Schreiner te ruste gelê is gesoek. Haar oorskot is in a "Sarcophagus" of te wel 'n Sarkofaag op Buffelskop geleë op die plaas Buffelshoek sowat 20Km vanaf Cardock. Haar man en hul baba asook hond is ook daar begrawe.

Die leidrade het 3 deelnemers na die korrekte antwoord gely. Die ander twee antwoorde wat die



naaste was en wie die vierde en vyfde pryse gewen het was Schreiner House en Cradock.

Die leidrade kan as volg verduidelik word.

1. 1884 – Nie belangrik nie maar is die jaar toe Olive Schreiner die liefde van haar lewe in London ontmoet het.
2. James Douglas Logan – Hy word verbind met Matjiesfontein waar Olive Schreiner ook 2 jaar gewoon het.
3. Olive Schreiner - Die eerste belangrike leidraad aangesien alles eintlik om haar gaan.
4. Begraafplaas – Gekoppel met leidraad 3 is dit eintlik die antwoord.
5. Beskerm die Ooste – Die leidraad wys na die dorp Cradock wat naby die plek wat gesoek word geleë is. Cradock was gestig om die Ooste te beskerm tydens die Front oorlog.
6. Langste besproeiingskanaal – 'n Leidraad wat wys na die Oos Kaap. Die Oranje/Vis besproeiingskanaal is 82.8Km lank en 5.35M in deursnee en het 'n kapasiteit van 54M³/seconde. Dit is die langste aaneenlopende toe waterleiding in die Suidelike halfmond.
7. My huis is 'n museum – Olive Schreiner se huis te 9 Cross Straat, Cradock is nou 'n museum. Die leidraad wys na beide Olive Schreiner en die dorp Cradock.
8. Buffelskop – die leidraad gee eintlik die plek wat gesoek is weg.

DIE VERBIND EN VIND KOMPETISIE SE WENNERS IS:

1	ZS1DUG	Douglas
2	ZS1RV	Willie
3	ZR1VR	Kobus
4	ZR1HM	Herman
5	ZS1DV	Philip



Baie geluk aan hierdie wenners. Altesaam 16 lede van Bark het deelgeneem.

LIEF EN LEED



Baie geluk aan Francois, ZS1FAS en Danelle, ZU1DCM met hul troue.

Ook baie geluk aan Deon, ZS1G en Belinda met hul nuweling Hennes. Mag hy net geluk vir julle bring.

Oom Oppie, ZS1OP was in die hospitaal, maar is tans weer by die huis. Oom Oppie alle beterskap vanaf al die BARKers.

KOM ONS GESELS TEGNIES

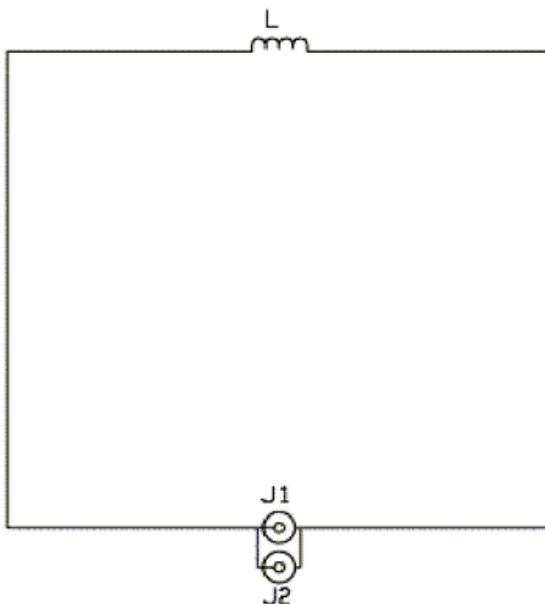
Ek het hierdie antenna op die internet raakgeloop. Bou dit en geniet dit.

HERE'S A REAL CHEAP ANTENNA TO MAKE FROM 160M - 6M AND IT WORKS!

By Andy G0FTD

PREAMBLE

It was developed simply because of my own personal circumstances which meant I often had to play radio from restricted QTH's. My employment in discrete antennas sure helped me out, as not only did I have demanding customers for discrete antennas but I find myself missing amateur radio when operating from hotel rooms abroad or "digs" in the UK! Of course I've done all the large antennas from home but it's too easy and I wanted to have a bit of a challenge from building COMPLETE indoor stations totally indoors and so the following has been in use for the past few years by myself almost daily.



J1 : feeder = RG58
J2 : stub

The antenna is nothing more than a simple 2.4 meter square loop "*drawing pinned*" to the internal brick wall of the spare bedroom. Yep, that's right, the *inside* wall of the spare bedroom - ideal for flat dwellers, hotel rooms or whining neighbors!

It is currently used with its base height at 3m AGL.

The loop has a simple switched inductance at the top of the square loop and uses a simple coaxial stub to tune the antenna. An additional variable capacitor placed across the feed point can be used to fine tune the resonance of the antenna. The basic configuration is shown below.

At J1 or J2 the coaxial stub can be replaced by a good quality ATU, preferably one which doesn't use toroids!

A balun is not required and at the most a simple choke style balun made from about 6 turns of coax and about 6 inches diameter can be used to attenuate radiation from the feeder cable. Good quality ATU's are expensive and often cost around 300 pounds sterling so to cut costs the simple coaxial stub can be used to utilise the self inductance and capacitance to form a tuned matching circuit to provide a 50ohm match to the amateur transceiver. It is also possible to connect a variable capacitor at either the beginning or the end of the coaxial stub in order to provide across band fine tuning. The antenna is fed by simple 50 ohm coaxial line.



Here's the description of the antenna at various bands.

160M

Use 100uH inductance at the top. A coaxial stub which is open ended RG58 style coax is 48cm long. Open ended means just dangle a piece of coax at point J2 with braid to one side and centre to the other. The end is left "open" or with a simple variable capacitor for fine tuning. Results have been reasonable for local working but not amazing. Generally I qso 50 miles or so.

80M

Using ZERO inductance and a 139cm stub plus 5 watts I have made plenty of UK/EU qso's with this antenna. Obviously larger antennas are better but expect your signal to be about 2 s-points down from stations using full size antennas and assuming the same power output.

40M

Using 10 watts I have had some QSO's around the UK but I am not keen on this band so my experience is limited. Zero inductance and a 39cm stub is required.

30M

THIS BAND AND QRP IS BRILLIANT! 5 watts rarely fails to get a QSO. I have only operated in the daytime when I have had numerous QSO's around Europe with just 5 watts with **no** hassle. Just use a 30cm stub and zero inductance.

20M

Numerous European and North American qso's made in the direction of radiation of a normal quad loop. Use 15uH of inductance for best results.

17M

Use a 3cm stub and zero inductance. Numerous North Americans, the middle east on 1 watt and Russian rag chews are easy. Due to the radiation pattern of the antenna in my QTH I am best placed for North American and Middle Eastern QSO's.

15M

All over North American, the Caribbean and some South Americans with 10 watts. 1 watt to the Lebanon and recently my first call was answered by the 3B9C expedition using 25 watts of ssb. Countless Europeans of 5w cw. North Americans worked by the truckload. Brazil also worked. Use zero inductance and 6cm of coaxial stub.

**12M**

Plenty of North Americans and Europeans. Use 9cm of RG58 stub and zero inductance for best results.

10M

Plenty of North American, the Caribbean and the Middle East as well as Europeans on 29MHz FM and I only used a max of 25 watts. Brazil also worked. Use 15cm of coaxial stub and zero inductance.

Remember the quad loop up on all these freqs is like a horizontal dipole and as such is directional.

HOWEVER we can perform a useful trick here - use 60uH of inductance and you can rotate the radiation in the opposite direction and with vertical polarisation! A rotatable indoor dipole without rotating it! This time you use 60uH of inductance at the top of the loop and approx 20cm of open ended coaxial stub.

I've worked lots of North Americans, South Americans, Central Americans, the Middle East, Europeans and Russia and South African stations with only 10-20 watts ssb.

Remember all of the above has taken place outside the sunspot maxima.

6M

In the summer sporadic E season it is typical to be able to work distance about 1500 miles. With only 5 watts cw/ssb I have had plenty of qso's at this

distance with ease in the direction of the loop, which is in the same direction of a normal quad loop. I don't frequent 50 MHz all that often but it's pleasing to work exactly the same typical distances as every one else with this silly antenna!

NOTES

This antenna is like any other antenna - it's just a resonant circuit that radiates. The loop is the inductance and all you need to do is add the required capacitance to it to for a tuned and radiating circuit.

Rules of thumb are that the smaller the loop the more capacitance you need to resonate it. When tuning a coaxial stub you simply snip off 5mm at a time to provide the required match. Circumstances vary! So be prepared for slight differences to stub lengths etc. It is perfectly in order to have a reasonable variation in loop length and adjust sub length/variable capacitance in order to suit.

All polarisation is horizontal except for 160m where it is vertical OR on 28MHz using 60uH inductance it also becomes vertical polarisation.

This antenna as described **is** in use by G0FTD every day and provides many happy hours of operating - so I know it works.

With the restrictions placed upon so many of us these days it really is pleasing to report a real antenna that allow just about anyone to play amateur radio with some sense of normality. Youngsters with parents can put up this antenna in their bedrooms, pensioners can (and **have**) used this antenna in retirement homes and restricted accommodation, students and flat dwellers can use it to at least continue their chosen hobby.

Noise is a big problem on receive and is often very restrictive. Sorry folks but it's a problem we ALL suffer from. Apart from operating at night when hopefully the local TV's have been turned off there's not a lot we can do.

CONCLUSION

Amateur radio IS possible under the most extreme circumstances so long as you don't expect all freqs to be 100% qrm free on receive and that you'll have to expect your signal to be a few s-points lower. In practice it's not really a problem and then it pays to think that if your using a bit of "damp string" and a few watts your achievements is good compared to all the Hams who spent 1000's of euros/pounds/dollars and massive effort for towers/kilowatt amps/expensive aluminum tubes to make yagi's blah blah.



It's all relative folks - so **enjoy** amateur radio under your **own** circumstances and stop feeling left out!

A BETTER LF ANTENNA.

I have also tried a 4.2m x 2.4m loop with excellent results on the LF bands. It seems to outperform the previous antenna on the LF bands by quite a large margin. The antenna is a corner fed loop as shown here.



I have NOT tried coaxial stubs with this antenna. I have only use an ATU for matching at the point of J1. Never use an ATU at the rig end!

<i>Band</i>	<i>Stub Length</i>
160m	70cm
80m	5cm
40m	19cm
30m	38cm
20m	48cm
17m	6cm
15m	7cm
12m	12cm
10m	5.5cm
6m	8.5cm

However, I have used computer modeling to assist me attain a high degree of accuracy with the previous antenna, so here are the recommended starting points for using open ended coaxial RG58 stubs.

73 de Andy G0FTD

BARK VERWERF WAZS TOEKENNING

Douglas, ZS1DUG berig dat ZS1BAK en ZS1TB nou "Work All ZS Award" status bereik op die SARL-QSL stelsel. Baie dankie en geluk aan almal wat bygedra het vir die verwerking van hierdie toekenning.

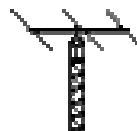
BARK VERGADERING VAN SATERDAG, 21 MAART 2009

Deur Johan, ZS1RX

Ons volgende BARK vergadering vind plaas op Saterdag, 21 Maart 2009, op die plaas Slot van die Paarl te Agter-Paarl. Olivier, ZS1OLI is ons gasheer.



As u van Kaapstad se rigting noord ry op die N1, neem u die Klapmuts/Wellington afrit. Dit is die R44. Die R44 raak later 'n dubbel baan. Hou aan tot by die Noord Agter-Paarl Koelkamer. Draai daar links. Maak seker dat u tot by die koelkamers ry voordat u van die R44 afdraai. So 'n kilometer verder sal u die



afdraai links na die plaas vind. Die plaas se naam is “Die Slot van die Paarl”. U sal sommer gou die antennes sien. Volg die pad tot by die antennes. Die GPS verwysing is 33°39.746’S en 18°54.769’E

Daar sal bystand wees op die 145.650 herhaler.



ONTHOU DIE TEMA VAN HIERDIE VERGADERING IS TUISBOU, OOK BEKEND AS “HOMEBREW”. BRING ‘N KORT BESKRYWING SAAM. DAAR SAL PLEK WEES VIR U OM DIT UIT TE STAL.

Sien u daar

BARK VERGADERING VAN SATERDAG, 6 DESEMBER 2008

Deur Johan, ZS1RX

Hierdie was dan ons laaste vergadering vir die jaar 2008. Soos gewoonlik was dit weer op die plaas Slot van die Paarl.

Die verbind en Vind kompetisie het die vergadering voorafgegaan en die opgewondenheid was groot.

Dit was ’n warm dag in die Agter-Paarl, maar die koelkamer het die vergadering draaglik gemaak.

Rassie, ZS1YT, het die “Ham Spirit” trofee verwerf. Hierdie trofee word jaarliks deur die Kaapstad Klub uitgegee aan ’n amateur wat die beste aan die streng kriteria voldoen. Dennis, ZS1AU, het die oorhandiging namens die Kaapstad Klub gedoen. Baie geluk met die toekenning Rassie en ons is trots op jou.



Rassie, ZS1YT, ontvang die beker en sertifikaat van Dennis, ZS1AU

Na die vergadering het die braaivleis vure begin brand en almal het lekker gesellig verkeer.

Die volgende 55 persone het die teenwoordigheidslys geteken:

ALBERTS, JOHAN ZS1B
BARNARD, TAS ZR1TAS
CANITZ, KARL ZS1KC
CARTER, JONATHAN
CHAMBERLAIN, HENRY ZS1AAZ
COETZEE, JEAN ZS1HJC
CONRADIE, KOBUS ZS1K

DE VILLIERS, FRANCOIS ZR1ACF
DEFTY, DOUG ZS1DUG
DREYER, THEO ZS1BO
DU TOIT, LYNNE
DU TOIT, REG ZS1ADC
EKSTEEN, FRED ZR1KAT
ELLIS, ANDRE

ERASMUS, DELEEN
 ERASMUS, GERHARD
 ERASMUS, RASSIE ZS1YT
 ESTERHUIZEN, CONRADT ZS1ES
 FRANSMAN, ANDRE ZS1IL
 GREEFF, FRED ZS1AS
 HAARHOFF, JOE ZS1AAB
 HAARHOFF, RINA
 HEYDENRYCH, DEON ZS1G
 HUGO, JAN ZS1JH
 HYMAN, CLYDE ZS1CS
 JANSE VAN RENSBURG, KOBUS
 ZR1VR
 JENDRISSEK, PETER ZS1JX
 JOOSTE, LOUIS ZR1LJO
 KORKIE, LEON ZS1MM
 LE ROUX, DAVID ZR1BIZ
 LE ROUX, JOHAN ZS1RX
 LE ROUX, JOHANNES ZR1RF
 MATHEE, HERMAN ZR1HM
 NOTHLING, HANS ZS1WZ
 OPPERMAN, OPPIE ZS1OP
 ROBINSON, BRUCE ZS1FX

SADIE, BENNA ZS1PBS
 SCHEEPERS, BOB ZS1BOB
 SIEBERHAGEN, COLBRIN ZR1CS
 SLABBERT, OCKIE ZS1OS
 SMITH, ALEX ZS1L
 SWANNEPOEL, JOHAN ZS1JSK
 TEUBES, SHAUN ZS1HE
 TOXOPEUS, HENK ZS1ACD
 VAN DER VYVER, JAN ZS1VDV
 VAN RENSBURG, MARTIN ZS1MC
 VAN RHYN, WILLIE ZS1RV
 VAN STADEN, OLIVIER ZS1OLI
 VAN WYK, KOOS ZS1KWV
 VAN ZYL, BETSIE
 VAN ZYL, RENE ZS1VR
 VERSTER, PHILIP ZS1DV
 VERSTER, RHYAN ZS1AJ
 WELLS, DENNIS ZS1AU
 WILLIAMS, CYNTHIA

SARL AJV

Die volgende SARL AJV vind vanjaar in die Kaap plaas. Die middelpunt van die bedrywighede gaan by die Oakdale Klub wees. Die program is as volg:

VRYDAG 24 APRIL OM 19:00

Verwelkomings braai by die Kaapse Klub (Cape Town Amateur Radio Centre).

SATERDAG 25 APRIL

SARL Algemene Jaarvergadering by die Oakdale Klub in Bellville:

08:00 Registrasie.
 09:00 AJV.
 13:00 Middagete.



15:30 Sjampanje vaart op die “Tigresse, the largest sailing catamaran in Africa”.

19:30 Die Jaarlikse SARL dinee en toekennings. Die Gasspreker is Sias Mostert van SunSpace.



Jan, ZS1VDV en Jean, ZS1HJC sal die dames na die Waterfront vervoer tydens Saterdag oggend se AJV.

SONDAG 26 APRIL

ontbyt by Poplars Restaurant (D'Aria Estate).

Ondersteun asseblief hierdie geleentheid.

BARK WEBWERF

Deur Deon, ZS1G

NUUS VIR BULLETINS

BARK lede met nuus vir afkondiging tydens BARK se weeklikse bulletin op Sondag kan dit per E-pos versend aan: [nuus by bark punt org punt za](mailto:nuus@barkpunt.org.za) of gaan na BARK se webwerf (<http://bark.org.za/>), dan na Skakels en kies “Verskaf Afkondigings vir Bulletins”. Voltooi die vorm en stuur dit. Hierdie is twee metodes om die afkondigings maklik onder die aandag van die bulletinleser te bring. Ondersteun dit asseblief.

CQ BOLAND PER E-POS

BARK lede wat CQ Boland per E-pos wil ontvang word versoek om 'n E-pos te stuur aan: [cqboland by bark punt org punt za](mailto:cqboland@barkpunt.org.za)

Hierdie is 'n nuwe stelsel wat dit makliker maak om dit te versprei.

NUUSBRIEWE

BARK ontvang tans verskeie nuusbriewe via E-pos. Hierdie sluit die volgende in:

CQ Centurion	± 1.00 Mb/maand
HAM-MAG	± 3.00 Mb/maand
HARC	± 0.75 Mb/maand
Watts	± 0.50 Mb/maand
WorldRadio Online	± 0.75 Mb/maand
HF_Happenings	± 0.30 Mb/maand



SARL News for Clubs ± 0.0? Mb/maand
 Hamnet nuus bulletins ± 0.0? Mb/maand

Hierdie lys mag verander sonder kennisgewing. As daar enige ander nuusbriewe is wat u graag by die lys wil byvoeg, kan u my laat weet by die onderstaande E-pos adres.

1 Let wel van die nuusbriewe is redelik groot en lede wat E-pos via “dial-up” ontvang mag dalk sukkel om dit af te laai.



2 Let wel dat die lede wat nie al die nuusbriewe wat aan BARK gestuur word wil ontvang nie moet self by die onderskeie afsenders van nuusbriewe gaan registreer vir die wat hul wil ontvang. BARK se webmeester gaan nie vir elke nuusbriewe sy eie sub-verspreidingslys opstel nie.

BARK lede wat al hierdie nuusbriewe wil ontvang moet net 'n E-pos stuur aan:
[nuusbriewe by barkpunt.org](mailto:nuusbriewe@barkpunt.org)

Baie dankie aan Johannes, ZR1RF, vir sy werk wat dit nou moontlik maak dat nuwe lede direk vanaf BARK se Webblad kan aansoek doen om lidmaatskap sowel dat bestaande lede via hierdie weg hul lidmaatskap kan hernu.



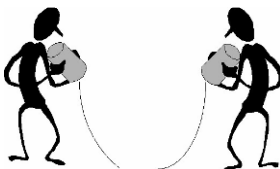
Dankie aan Jonathan Carter (skryf binnekort RAE) wat agter die skerms BARK se Webblad “hosting” hanteer en van die goete op die Webblad doen wat die Webmeester nie verstaan nie

Jonathan het my meegedeel dat hy vir ons genoeg spasie beskikbaar stel om Sondae se bulletins, soos op CTWUG, op ons webwerf beskikbaar te kan stel vir aflaa. BARK se bulletins vanaf Desember 2008 is nou beskikbaar op die webwerf in MP3 formaat.

Hier is 'n E-pos wat Deon, ZS1G ontvang het.

Baie dankie vir die bulletin wat ek kan aflaa om ook die bulletin te kan luister hier in Ierland. Dit is bak van julle. Mooi bly daar in ons SA.

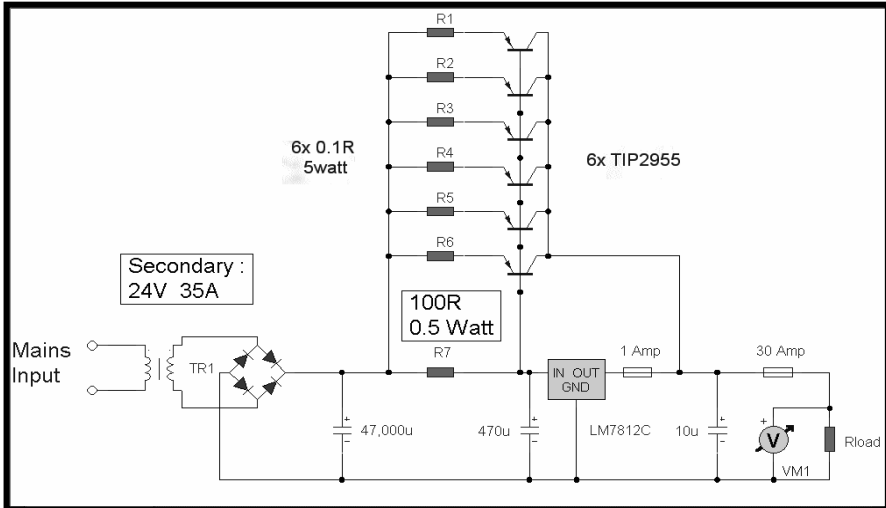
Groete uit Ierland.
 Peet Nel (ZS1NEL)
 EI7JQ



12 VOLT 30 AMP PSU

Hierdie is nog 'n stroombaan wat ek op die internet raakgeloop het

Using a single 7812 IC voltage regulator and multiple outboard pass transistors, this power supply can deliver output load currents of up to 30 amps. The design is shown below:



NOTES:

The input transformer is likely to be the most expensive part of the entire project. As an alternative, a couple of 12 Volt car batteries could be used. The input voltage to the regulator must be at least several volts higher than the output voltage (12V) so that the regulator can maintain its output. If a transformer is used, then the rectifier diodes must be capable of passing a very high peak forward current, typically 100amps or more. The 7812 IC will only pass 1 amp or less of the output current, the remainder being supplied by the outboard pass transistors. As the circuit is designed to handle loads of up to 30 amps, then six TIP2955 are wired in parallel to meet this demand. The dissipation in each power transistor is one sixth of the total load, but adequate heat sinking is still required. Maximum load current will generate maximum dissipation, so a very large heat sink is required. In considering a heat sink, it may be a good idea to look for either a fan or water cooled heat sink. In the event that the power transistors should fail, then the regulator would have to supply full load current and would fail with catastrophic results. A 1 amp fuse in the regulators output prevents a safeguard.



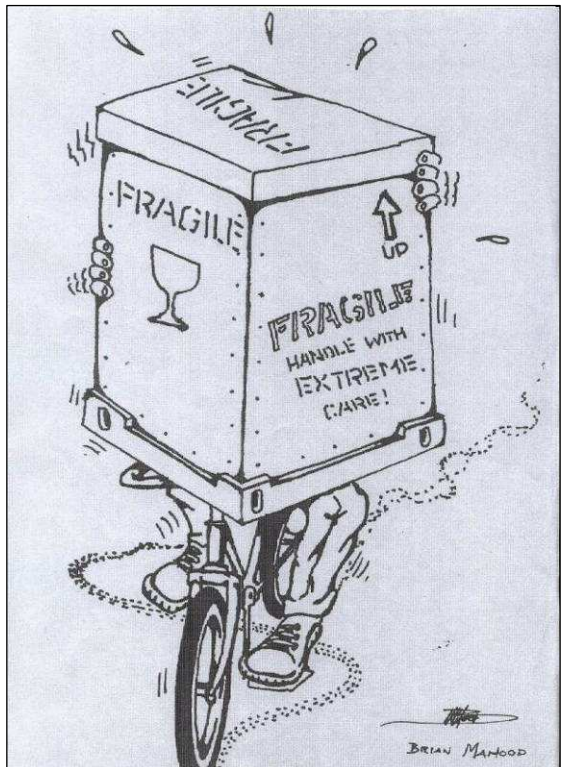
Jan, ZS1VDV, gedurende die Februarie ZU
RAE

BARK MENSE SE VERBORGE TALENTE

By een van ons BARK vergaderings van so 'n tyd gelede vertel oom Joe, ZS1AAB vir my van sy vrou, tannie Rina se tekenvermoë. Ek het haar onmiddellik gevra om sketse te maak vir CQ Boland. Ek plaas een van haar sketse. Hoop nie daar is 'n splinternuwe HF radio in die houer nie.

As my informasie reg is, was oom Joe en tannie Rina ook op 'n tyd die skrywers van CQ Boland en ek aanvaar dat tannie Rina die illustrasies gedoen het. Ek wonder of iemand nog CQ Bolande van daardie tyd het.

Ek ontvang graag berigte oor ons BARKers se uitstaande talente.



VAN Boland Amateurradio klub
Posbus 273
STRAND
7139